

Would you like to try “Electronic Paper Tag” ?

“Paper Less” became the norm today

◆ More efficient in the various occasions

“RFID Double Tag” achieve Digital Transformation in manufacturing fields

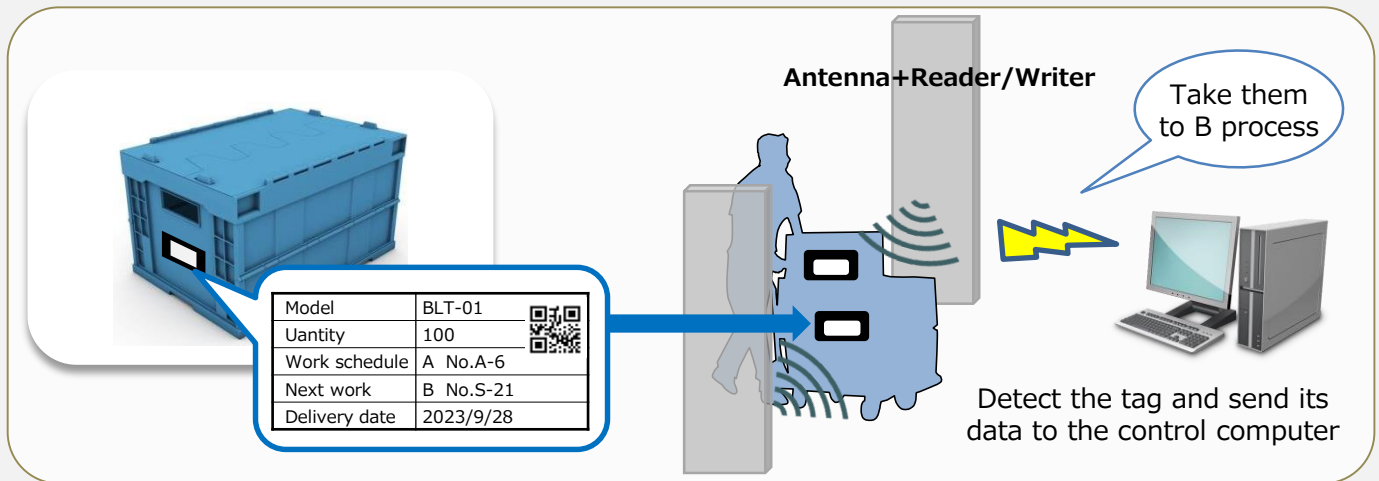
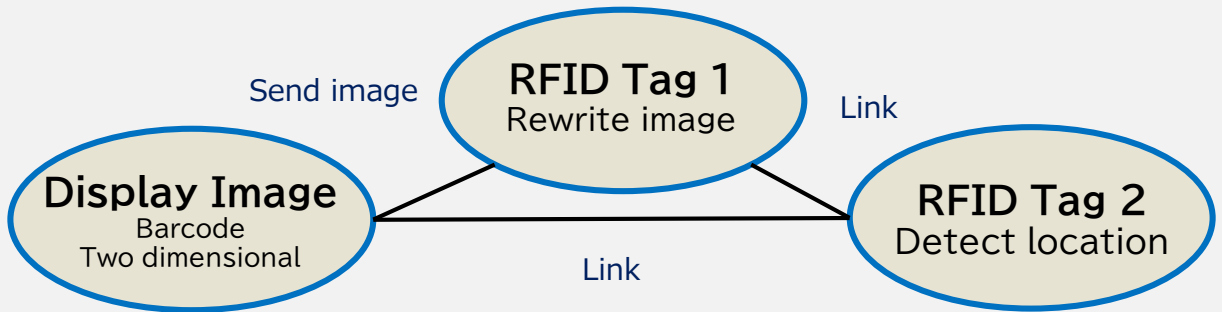
Electronic Paper Tag EP-01



【Implementation Outcomes】

- No more work error
- Paper less
- Labor saving
- Immediacy
- Traceability

In addition to the existing operator support, it is possible to prevent the defective products from being shipped.



- No need to read QR/barcode between processes
- Enable real-time location and traceability management
- Can be used to prevent defective products from being shipped

Electronic Paper Tag

Product No: EP-01



RFID Tag with Display function featured by Thin, Light weight, and No Battery need

◆ Specification / Feature



Dimension: W 111.3 × H 57 × D 6.5 (mm)

Display size: 2.9 inch (66.9 × 29.06 mm)

Weight: Less than 50g

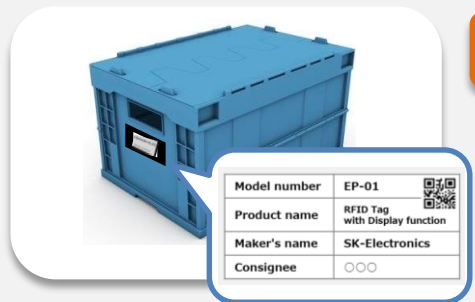
Frequency: UHF range

Memory size : EPC memory domain 480 bit (30word)

User memory domain 61440 bit (3840word)

Fully battery less without any maintenance like Battery exchange

- No power to keep the display function is necessary. Rewriting data can be made by Wireless communication with Reader Writer (Fully battery less & Maintenance free)
- No need of Battery exchange space make "Small size, Thin, and Light weight" possible.



Rewriting the display data can be made by 「Wireless」

- Wireless image transfer and display is possible by the fusion of Electronic paper and RFID wireless communication technologies.
- Usable as the next generation display device such as Electronic shelf label and Instruction manual at production line.

Logistic label



Work direction



Visitor ID card



Inventory control



Log & Quality management



「Trial kit for Electronic paper tag」

Basic structure

- Electronic paper tag
- USB cable
- Holder for fixing Tag
- Antenna、Reader Writer
- USB memory
- one of each



Click here